



# Bulldog



**Owners Handbook**  
For the Bulldog Diesel Locomotive

# **Operating Instructions**

**IMPORTANT:** Please read these instructions carefully before operating the locomotive

## **SAFETY PRECAUTIONS**

This is a working battery diesel model locomotive. Provided it is operated with reasonable care and attention, no problems should arise. The motor used in this locomotive is very powerful and you should avoid touching the moving parts when in motion. As you will appreciate, this is not a toy and is therefore unsuitable for unsupervised children.

## **ACCESORIES INCLUDED.**

Radio Transmitter.

Charger for locomotive.

Back to Back gauge and Allen key.

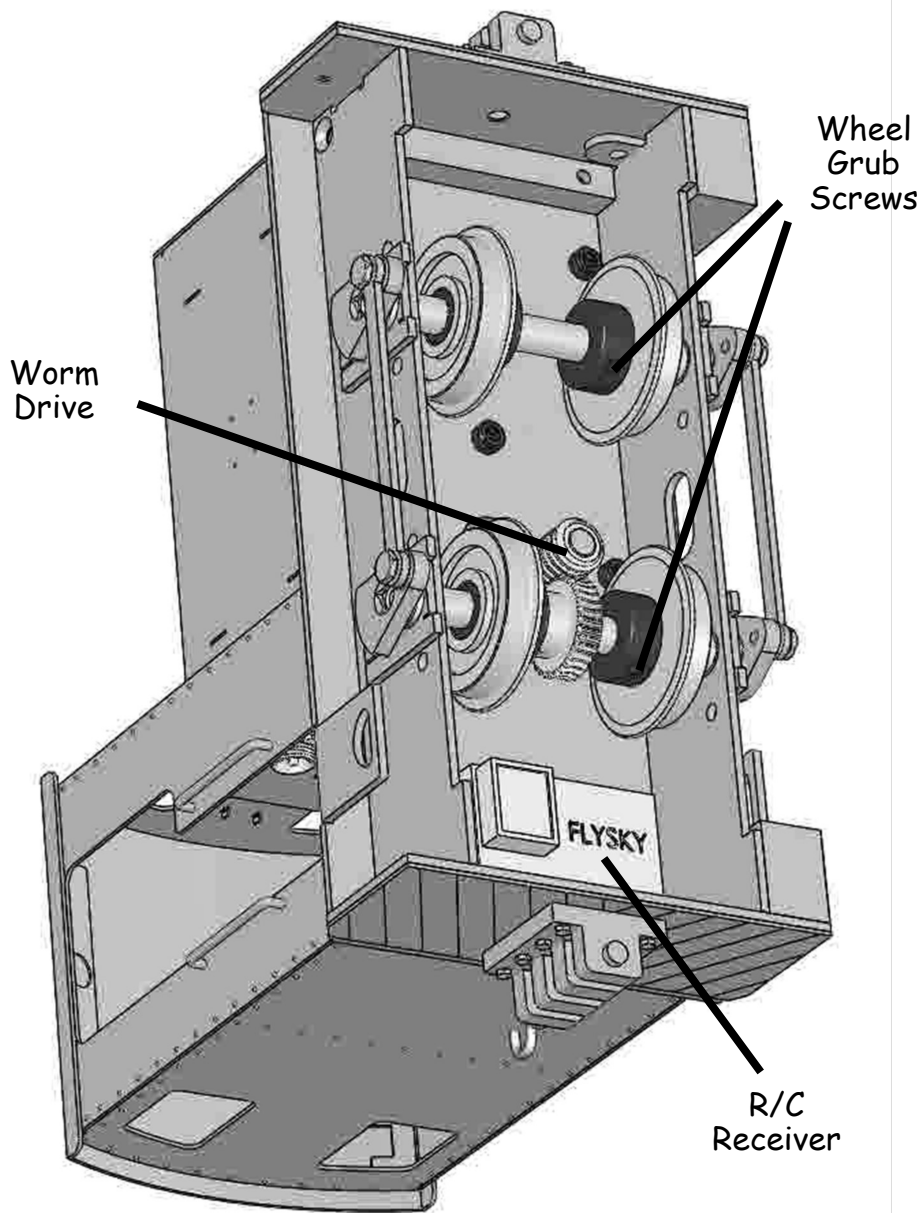
Small pot of silicone grease for lubricating worm drive.

## **ALTERING WHEEL GAUGE**

**Ensure the locomotive is switched off.**

Turn the model upside down to gain access to the wheels. The driving wheels are moveable on their axles and are locked in place by 2 small grub screws. Manually moving the steel motor worm drive with your index finger will turn the wheels and bring the grub screws into a position where they can be loosened using the Allen key provided. Note that there are 2 grub screws on each wheel. The wheels should be adjusted so that the 'back to back' gauge supplied will just slip between their inner faces. Ensure that the wheels are evenly spaced relative to each side frame and gently nip-up the grub screws.

Do not over tighten the grub screws.



## Initial Charging.

The NiMh batteries fitted in the locomotive will require charging before operating the model. First, connect the mains lead to the charger. It is important that the mains lead is plugged into the charger **before** connecting to the mains supply, otherwise damage to the charger may result. Note: the charger is for indoor use only.

***Do not leave the model or charger unattended whilst charging and unplug from mains power once charging is completed.***

The charger should be kept in an horizontal position.

Do not cover the charger, as it will overheat.

Do not allow the charger to become wet.

Keep away from any flammable sources.

Do not disassemble the charger - mains voltage inside.

### **Please note -**

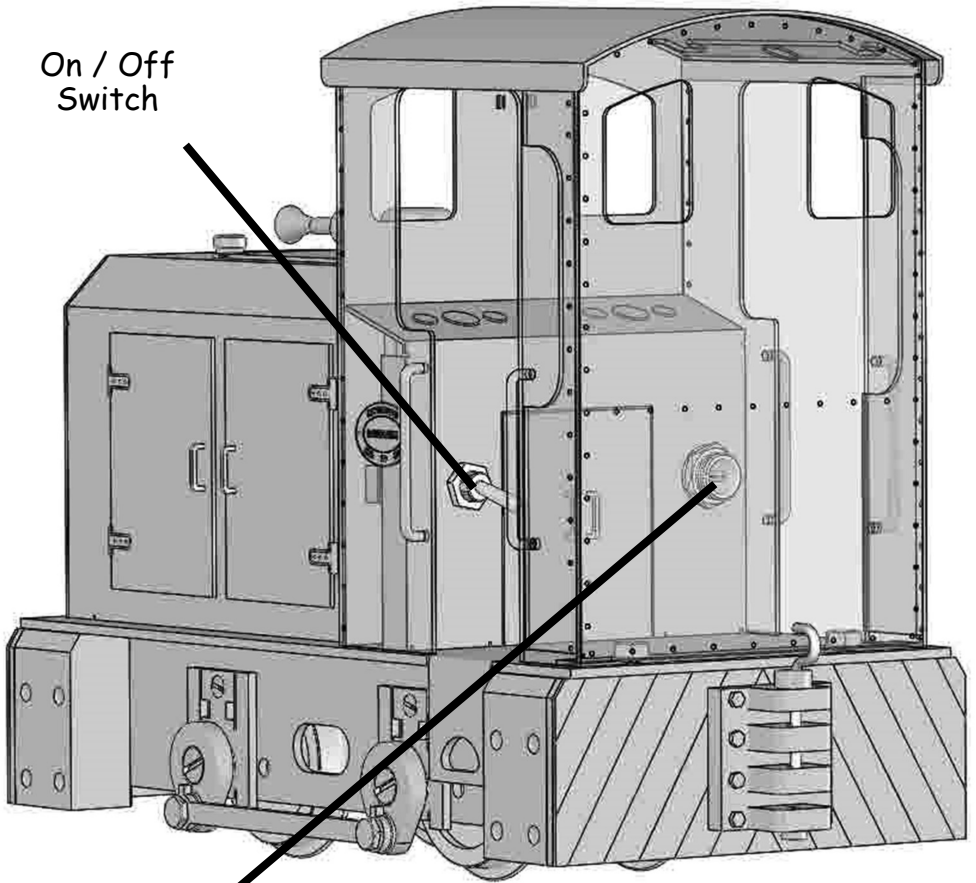
The batteries installed in this model may be damaged if they are allowed to fully discharge.

To ensure this doesn't occur, we advise that the locomotive is recharged after being run and before storing.



It will initially take approximately 5 hours for the batteries to fully charge. The time taken for subsequent full charges may be less. When the batteries are fully charged, the LED will change to green. The charging jack should now be removed from the locomotive and the charger unplugged from the mains.

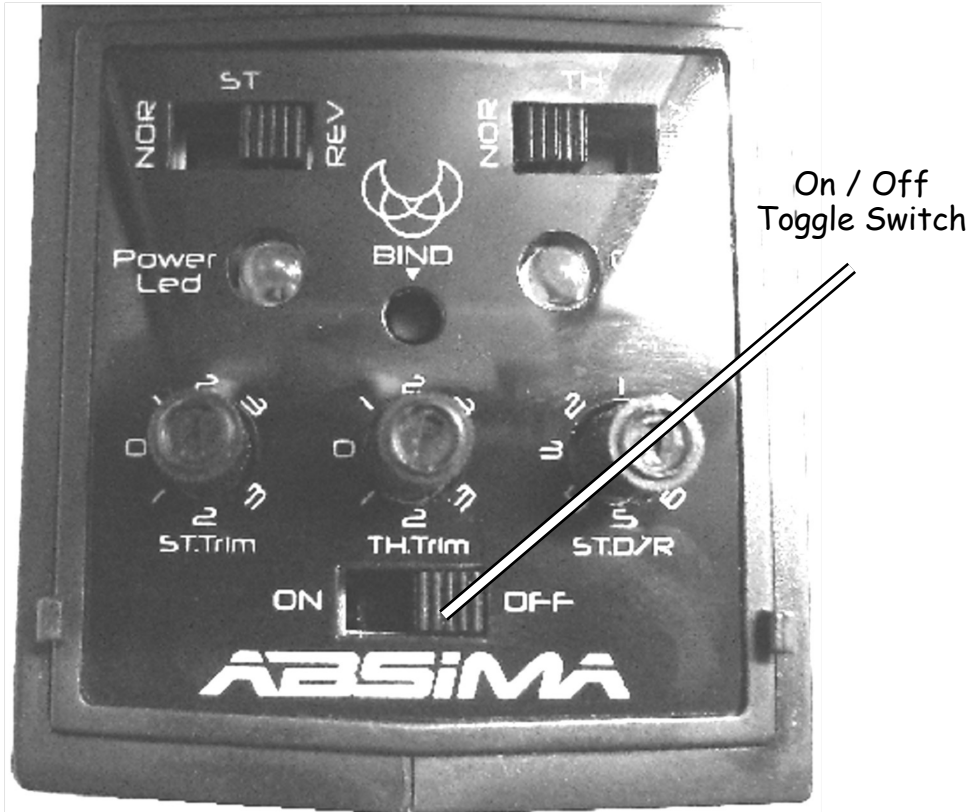
On / Off  
Switch



Charging  
Socket

### Operating the locomotive.

Fit Four AA alkaline batteries into the bottom of the Transmitter Handset. Lift up the 'Flip Cover' at the top, rear of the transmitter. Turn on the Transmitter by moving the ON / OFF toggle switch to the Left. Do not adjust any of the other switches or controls on the Transmitter. Always turn on the transmitter before the locomotive to ensure correct operation.



The locomotive can now be turned on using the switch located in the cab on the left-hand side. The front headlamp will illuminate to indicate that the power is on.

### Running the locomotive.

With the transmitter and the locomotive both switched on, use the hand wheel on the transmitter to move the locomotive in either forward or reverse direction. When the hand wheel is released, it will spring back to mid gear position and the locomotive will stop.

For continual running simply set the desired speed with the wheel and then switch off the power to the transmitter.

Rotate Wheel Clockwise for Forward and Anticlockwise for Reverse direction of travel.



### **Maintenance.**

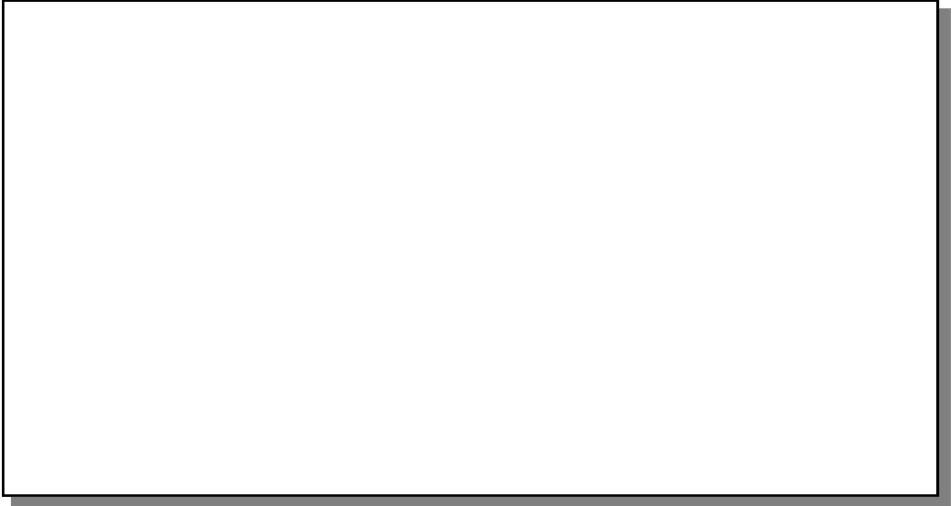
Very little routine maintenance is required. However, external moving parts such as the coupling rods, axles and outside cranks will require periodic lubrication with a light machine oil such as a 20-50 motor oil.

The worm drive will require occasional lubrication with silicone grease. Make sure that the locomotive is switched off - do not try to lubricate the worm drive whilst the motor is turning.

Apply sparingly, using the blade of a small screwdriver, directly to the worm drive. Don't allow a build up of grease as this will harbour grit which in time may lead to excessive wear of the worm drive.

## SERVICE AND PARTS

If any problems arise with this model which are not covered in these operating instructions, or spare parts are required, owners should first contact their local dealer. Your **ROUNDHOUSE** dealer is;



If your dealer is unable to help, please contact the Factory directly:

**ROUNDHOUSE ENGINEERING CO. LTD.**

Units 6-10 Churchill Business Park. Churchill Road. Wheatley.

Doncaster. DN1 2TF. England

Telephone 01302 328035 Fax 01302 761312

[mail@roundhouse-eng.com](mailto:mail@roundhouse-eng.com)

[www.roundhouse-eng.com](http://www.roundhouse-eng.com)